



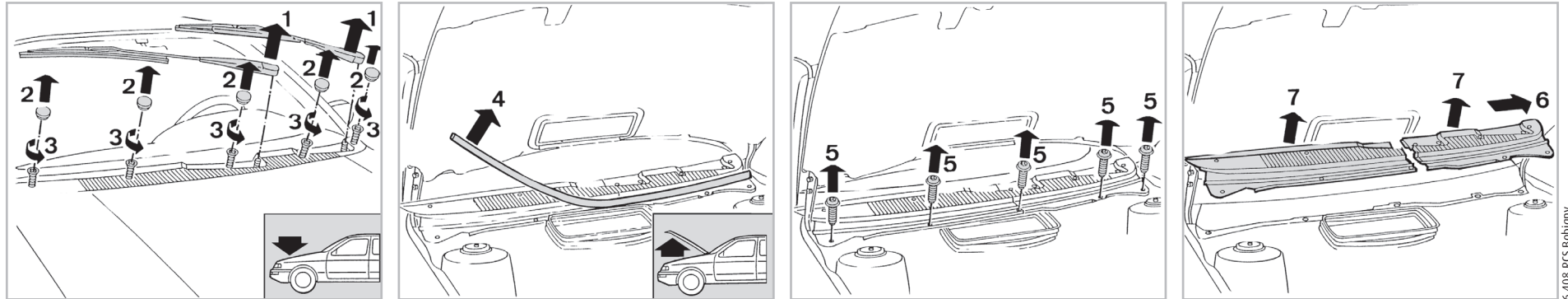
FOR
FORD

MONDEO A+ (02/93 > 09/00) / COUGAR A/C+/- (01/99 > 04/02)



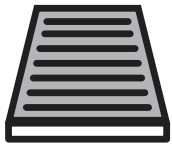
PROTECT

combined with
active carbon

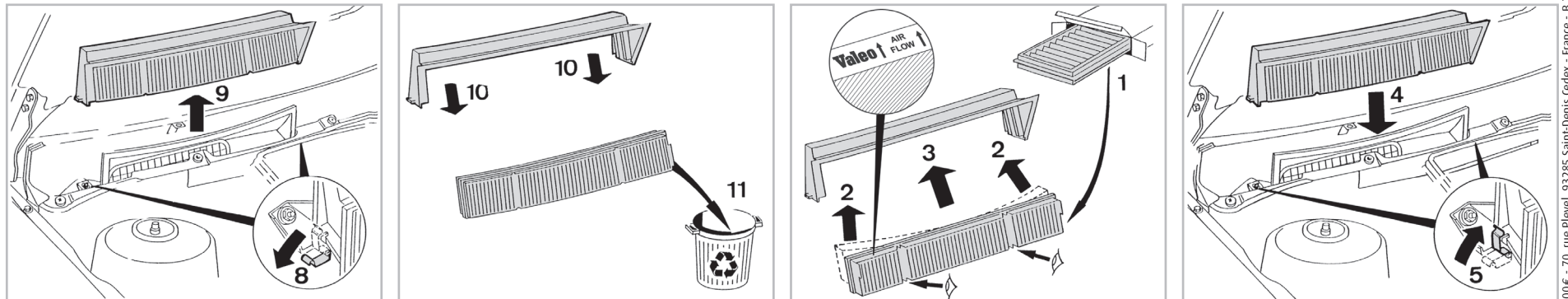


715674

FH512



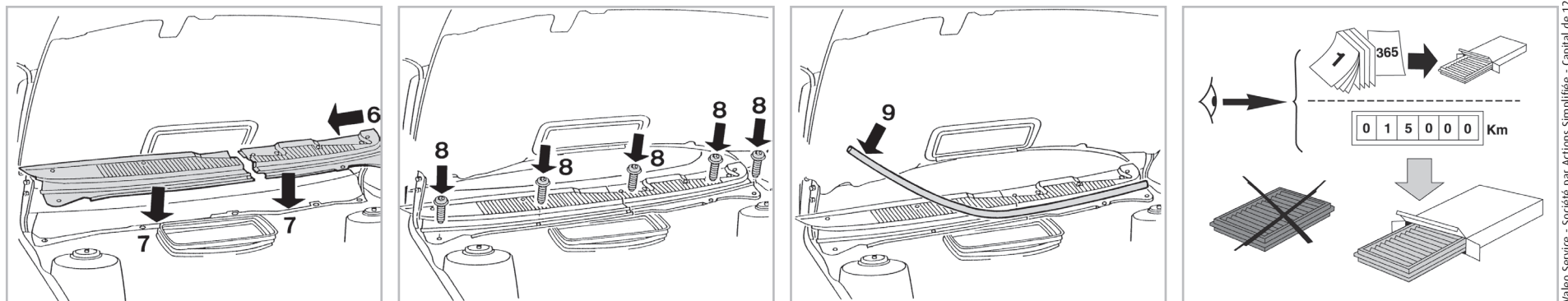
CA



WANT TO
KNOW MORE?



www.valeo-techassist.com



Valeo Service - Société par Actions simplifiée - Capital de 12 900 000 € - 70, rue Playel, 93285 Saint-Denis Cedex - France - B 306 486 408 RCS Bobigny